

PHONE MANUAL
myPhone Twist



Lot number:201707

Thank you for choosing **myPhone Twist** device
Please read the Manual carefully.

SAFETY

Read these guidelines carefully. Not following them may be dangerous or illegal.

—DO NOT RISK—

Do not switch the device on in places which are prohibited from using cell phones, or when it may cause interferences or other dangers.

—INTERFERENCES—

All wireless devices may cause interferences, which could affect the quality of other connections.

—RESTRICTED AREAS—

Switch OFF the device in an airplane since it may disturb the operation of other equipment located therein. The telephone may interfere with operation of the medical equipment in hospitals and health protection entities. Abide by any kinds of prohibitions, regulations and warnings conveyed by the staff.

—QUALIFIED SERVICE—

This product can be repaired or updated only by a qualified myPhone service center or an authorized service. Repairing by an unauthorized or unqualified service may cause phone damage and warranty loss.

ROAD SAFETY

Do not use this phone while driving any kind of vehicle.

—CHILDREN—

This phone is not a toy. Keep the device and its accessories out of reach for children.

—ALARM CALLS—

Making alarm calls may not be possible in some areas or circumstances Find an alternative way to notify emergency services if you are going to undeveloped or remote areas.

BATTERY AND ACCESSORIES

Avoid exposing the battery to very high/low temperatures (below 0°C/32°F and over 40°C/104°F). Extreme temperatures may influence capacity and battery life. Avoid contact with liquids and metal objects as it may cause partial or complete battery damage. Do not destroy, impair or throw the battery into flames - it is dangerous and may cause fire. Installing an incorrect battery type can cause an explosion. Never open the battery. Please dispose of battery according to the instructions. Worn-out or impaired battery should be placed in a dedicated container. The battery should be used according to its purpose. Disconnect an unused charger from power grid.

Excessive charging the battery can cause damage. Therefore a single battery charge should not last longer than 12 hours (2 day an absolute max.). Use only the original myPhone accessories that are included in your device set.

WATER RESISTANCE

This device is not water resistant. Protect it from liquids and moisture.

THE USE OF THE MANUAL

Please read the precautions and phone user's manual before use. The descriptions contained in this manual are based on the default settings of the phone. The

newest version of the manual can be found on our company website: www.myphone.pl

Depending on the installed version of the software, service provider, SIM card or country, some of the descriptions in this manual may not match your phone. Depending on the country, service provider, SIM card or device version, the phone and its accessories may differ from the illustrations included in manual.

FUEL STATION SAFETY

Always turn off the phone while refuelling your car on petrol station. Do not use your phone close to chemicals.

SOUNDS



To avoid hearing damage, do not use the device at high volume levels for a long period of time, do not put operating device directly to the ear -when loud sound or music is on.

Manufacturer:

myPhone Ltd.
Nowogrodzka 31 street
00-511 Warsaw
Poland

Customer service:

myPhone Ltd.
Krakowska 119 street
50-428 Wrocław
Poland

Helpline: (+48 71) 71 77
400
E-mail:
pomoc@myphone.pl

Website:
<http://www.myphone.pl>

Table of Contents

Table of Contents	5
Package content	7
Technical Specifications	7
1. Introduction	8
Phone appearance.....	8
Turning the phone on/off	9
Installation of the SIM card, memory card and battery.	9
Charging the battery	10
Battery discharge indicator	10
First start-up	10
2. Basic functions	11
Phone menu access	11
Customize your phone	11
Sounds and user profiles.....	11
Turning the „silent” mode on and off	13
Call handling functions	13
Calling	13
Answering	13
Messages	13
Sending SMS.....	13
Messages display	14
Contacts on myPhone Twist	14
Adding a new contact.....	14
Search for a contact.....	15
Deleting contacts	15
3. Advance settings	15
Calling a contact from the phone book.....	15
Missed calls•	16
SOS.....	16
Speakerphone mode.....	17

Speed dial	17
Connecting your phone to the computer	17
International calls.....	18
4. Other phone features.....	18
Time and date settings	18
Menu language settings.....	18
Display settings	19
Connection settings	20
Configuration of the alarm / alarms.....	20
Torch.....	20
Use of calculator	20
Factory settings	20
Call log.....	21
Audio Player	21
FM Radio	22
Calendar	22
Bluetooth	23
Pairing bluetooth devices	24
Sending files via Bluetooth.	24
Camera.....	24
Phone icons	25
Troubleshooting.....	25
Proper use of the battery	26
Proper phone maintenance.....	27
Safety information	28
Road safety	28
Surroundings security	28
Technological criteria.....	29
Information on certificates (SAR).....	29
Correct disposal of used equipment.....	30
Correct disposal of used battery	31

Declaration of conformity with European Union Directives..... 31

Package content

Before you start using your phone, make sure all of the following items are included in the box:

- **myPhone Twist**
- Battery: 600 mAh Li-ion
- charger
- user manual
- warranty card

If any of the above items is missing or damaged, please contact your dealer.

There is a sticker containing the IMEI and serial number on the packaging of myPhone Twist set. We advise to keep the container in case of any complaints. Keep the container out of reach of children.

Technical Specifications

Network: GSM 850/900/1800/1900 MHz

Clear, colourful 1.77 " display

Audio Player

FM Radio

Torch

Bluetooth

Camera

MicroSD card reader - up to 128 GB.

Battery: 600 mAh Li-ion, 3,7 V 

Charger input parameters:

100-240 V~ 50/60 Hz 0,15 A

Charger output parameters: 5 V  0,5 A

Phone dimensions: 94.3 x 49.6 x 17 mm

Phone weight: 74 g

1. Introduction

Phone appearance



- | | |
|---|---|
| 1. Speaker | <up>, <down> |
| 2. Display | 15. Phone keypad |
| 3. Camera lens | 16. <#> button |
| 4. Notification diode | 17. Button <#> / Sound mode switch |
| 5. Camera flashlight | 18. Microphone |
| 6. Leash grip | 19. Torch On - Off / The shutter of the camera. |
| 7. SOS button | 20. Opening spot of the battery cover |
| 8. Rear speaker (buzzer) | 21. Micro USB socket and connectors for the docking station |
| 9. Headphone jack | |
| 10. <Menu> button | |
| 11. <Contacts> button | |
| 12. <green headset> button | |
| 13. <Red handset> button | |
| 14. Navigation buttons | |

Turning the phone on/off

To turn the phone on/off press and hold the **<red handset>** button. If directly after turning the phone on you will see the code request, (in form of “****”) type the code and press **<OK>**.

Installation of the SIM card, memory card and battery

If the phone is switched on - switch it off. Remove the battery cover (flip) prying it open with your nail in this place **(20)**. Insert the SIM card into the slot, according to the embossement in the phone.

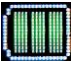
Insert the memory card. Micro SD card is to be placed with its gold contacts facing down, the way in which the slot is embossed and close the protective flap.

The maximum memory card supported capacity is 128 GB. Insert the battery - the battery should be placed so that its three gold contacts touch the triple connector in the phone bay. Gently replace the battery cover.


Charging the battery

Plug the USB cable to the suitable socket in the device. Subsequently, the microUSB plug of the microUSB cable is plugged into the microUSB socket on your phone and the charger is plugged into the power outlet.

****Attention:*** *Improper connection of the charger can cause serious damage to the phone. Damages caused by an improper use of the phone are not covered by the warranty.*

While charging, a static icon of battery state located in upper right corner of the screen will become animated . When charging is complete unplug the charger from the power outlet. Unplug the cable from the socket on the phone.

Battery discharge indicator

When the battery gets discharged, a message of the need to charge it will be displayed. Battery icon will be empty . If the charge level is too low, the phone will turn off automatically. To use the phone one has to charge the battery.

First start-up

When you start the phone for the first time, you must select the language in which the menu will be

displayed. It is best to choose your native language, but if you want to use the phone in one of other available translations, you can choose it. Then you can enter the current time and date. To confirm the changes, select **<Save>**.

2. Basic functions

Phone menu access

To access the phone menu, press the **<Menu>** button above the **<green handset>** button with the phone's main desktop activated.

By pressing navigation buttons **<up>** or **<down>**, move to the wanted menu icon. Press **<Menu>** / **<OK>** button to confirm your choice (and enter the menu item) or **<Back>** to return to previous menu/desktop.

Customize your phone

MyPhone Twist phone can be customized to your needs. This will make its use pleasant and easy.

Sounds and user profiles

Use the **[Profiles]** option in **[Menu]** → **[Settings]** → **[Profiles]** to set the sound profile of your phone.

Select a sound profile and enter **[Options]** → **[Activate]** → **[Select]** or **<OK>** to activate the chosen profile or **[Options]** → **[Customize]** → **[Select]**, to edit the profile according to your own preferences. Sound profile edit options.

- **[Alarm type]** - press **[Options]** → **[Change]** → **<Select>** and select the type of alarm (sound, vibration and their combinations). Confirm with **<OK>** button.

- **[Ring tone type]** - press **[Options]** → **[Change]** → **<Select >** and select the type of sound (repeat, only once). Confirm with **<OK>** button.
- **[Ringtone]** - press **[Options]** → **[Change]** → **<Select>** and select the phone ring tone from from the phone memory or SD card. Confirm with **<OK>** button.
- **[Ringtone volume]** - press **[Options]** → **[Change]** → **<Select>** and select the ring tone volume of the phone using the volume control button **<17>**. Confirm with **<OK>** button.
- **[Message]** - press **[Options]** → **[Change]** → **<Select>** and select the tone of message sound. Confirm with **<OK>** button.
- **[Message volume]** - press **[Options]** → **[Change]** → **<Select >** and select the message volume using the volume control button **<17>**. Confirm with **<OK>** button.
- **[Keyboard]** - press **[Options]** → **[Change]** → **<Select>** and select the key tone - silent, click, tone, speech. Confirm with **<OK>** button.
- **[Buttons volume]** - press **[Options]** → **[Change]** → **<Select >** and select the buttons volume using the volume control button **<17>**. Confirm with **<OK>** button.
- **[Open the flip]** - press **[Options]** → **[Change]** → **<Select>** and select the tone of opening the flip- (silent, different tones). Confirm with **<OK>** button.
- **[Close the flip]** - press **[Options]** → **[Change]** → **<Select>** and select the tone of closing the flip-

(silent, different tones). Confirm with **<OK>** button. To save the profile change select **[Options]** → **[Save]**. Turning the „silent” mode on and off
The **<#>** key is used to switch profiles in the standby mode. Press it and hold for about 2 seconds, until „Silent mode activated” announcement is displayed. Pressing and holding the **<#>** key again activates the previous profile.

Call handling functions

Calling

Enter the number to the main screen using the numeric keypad.

It is recommended that you enter the area code prior to the telephone number. Press **<green handset>** to start the call. Press **<red handset>** to finish the call

Answering

You can receive an incoming call by opening the flip. If it is already open - press **<green handset>** button. To reject the call press **<red handset>** button. This button also finishes the call.

Messages

Sending SMS

Enter: **[Menu]** → **[Messages]** → **[Write message]**. Type in the message using the keypad. Sings are typed in letter by letter. **<#>** button is used to change the input method. The following are possible: You have the following methods to choose from:

- Abc – The first letter capital, the rest lower case

- abc – Only lower case letters
- ABC - Only uppercase letters
- Numeric - numbers only

To enter a special character i.e. period, comma, dash, etc., press **<*>** and choose from the list, or press the **<1>** a number of times (in a mode other than "Numeric"). To enter a space between the words press **<0>** button. To enter the letter "b" one should press **<2>** button twice. To enter the letter "d" one should press **<3>** button once etc.

After you have entered the content to send the message, select **[Options]**, then **[Send to]** and **[Input number]** or select a number from the contacts list and confirm with **<OK>**. Then enter **[Options]** → **[Send]**.

Messages display

Enter: **[Menu]** → **[Messages]** → **[Inbox]**, choose a message from the list and press **[Options]** → **[View]** → to see the message itself.

Contacts on myPhone Twist

Adding a new contact

To add a contact enter: **[Menu]** → **[Contacts]** → **[Add new contact]** → **[Options]** → **<Select>** → **[To SIM]** or **[To phone]**. Enter contact details by selecting the name or number using the **<up>** and **<down>** keys then enter **[Options]** **[Save]** or **[Cancel]** to stop. When you have typed-in the number/name press **<OK>**. Enter **<Save>** to save the contact.

Search for a contact

To search contacts choose: **[Menu]** → **[Contacts]**.

Type in a letter and a full list of contacts starting with given letter will appear on screen. To find a specific contact use navigation buttons **<up>** or **<down>**. After searching and choosing a contact enter **[Options]** a list of available options will appear:

- **[View]** – to see the details of the contact
- **[Send text message]** – to send text messages
- **[Call]** - to make a call
- **[Edit]** - to edit contact data
- **[Delete]** - to delete the contact
- **[Copy]** - to copy a contact to phone memory or on SIM card.
- **[Contacts settings]** - allows you to set up a quick dial for 8 buttons from 2 to 9, view the memory status, add established connections.

Deleting contacts

To delete a single contact enter: **[Menu]** → **[Contacts]** → search for the contact you wish to erase → **[Options]** → **[Delete]** and confirm using **[Yes]**.

3. Advance settings

Calling a contact from the phone book

To call a phone number saved in the **[Contacts]** submenu (phonebook) select **[Menu]** → **[Contacts]** in the standby mode. In the phonebook search for the proper contact (by entering first letters of the contact

using the keypad). Execute the call by pressing the **<Green headset>**.

Missed calls

Missed calls are displayed on the screen of the phone. An appropriate message and an icon on the screen will inform you about a missed call. To check who called, press **[View]**, while the notification is on screen. Another solution is **[Telephone centre]**.

To enter this function go to: **[Menu]** → **[Telephone centre]** → **[Call history]** → **[Missed calls]** → choose a call you wish to check and enter → **[Options]** → **[View]**. To call back, select the missed call from the list, then press **<green handset>** to make a call.

SOS

The phone has a built-in SOS function, which allows the user to initiate an emergency alarm and alert family members or a physician in case of an accident.

To use this option, select **[Menu]** → **[Settings]** → **[SOS settings]**. You can enter up to 5 numbers to which the notification will be sent **[SOS number]**, enable or disable contacts (up to 5 pre-defined ones) to which an SMS message will be sent **[Select the object of sms]**, enter **[SOS Message]**, Set the time **[Call waiting time]** after which the next number will be selected. When all options are set and the button is activated, an audible alarm sounds and a text message with the notification will be sent to the selected numbers. Then the phone will try to call the previously

chosen numbers. You will switch the alarm off again by pressing the **<Cancel>** button.

Speakerphone mode

During a call press **[Speaker]**, to activate speakerphone mode.

Speed dial

Choose **[Menu]** → **[Contacts]** → **[Options]** → **[Phonebook settings]** → **[Speed dial]**. You can set a **[Status]** of this function, i. e. whether it is active or not. You can assign contacts to buttons 2 to 9. To do this, select and activate the option. When you enter **[Set numbers]** a list will appear on the left side of the screen where the digits which correspond with keypad buttons are situated. Select an entry, confirm it with **<OK>** and select a contact from the list. When you set the numbers press **<red handset>** button to return to the main phone screen. To establish a connection by speed dialing function press and hold (for about 2 seconds) a programmed button of the phone.

Connecting your phone to the computer

MyPhone Twist can be plugged to the PC computer using USB cable. This allows you to view and exchange data between your computer and your phone when a microSD card is installed To do this, you must:

1. Connect the microUSB connector to USB port in your phone then connect the USB connector to a USB port on your computer.
2. An information about USB connection will be

displayed on your phone screen.

3. Choose **[Mass storage]** from the displayed list.

4. The phone is now connected to the computer. The contents of the phone memory can be viewed using Windows Explorer.

International calls

In standby mode, press and hold down the **<*>** (star) key for 2 seconds or press quickly twice until the "+" sign appears. Enter the full phone number of the recipient (the country code and the telephone number), and then press **<green handset>** to make a call.

4. Other phone features

Time and date settings

To set time and date enter: **[Menu] → [Settings] → [Phone settings] → [Time and date]**.

- **[City of residence]** - to determine the time zone for a given city.
- **[Set time/date]** - to change the date and time.
- **[Set format]** - to change the display format from 12 hours to 24 hours and the order in which day, month, year and date separator are displayed.
- **[Update Time Zone]** - to enable automatic time zone setting.

Menu language settings

To set or change the language of menu enter: **[Menu] → [Settings] → [Phone settings] → [Language]** and select your preferred language from the list.

Display settings

By selecting **[Menu]** → **[Settings]** → **[Phone options]** → **[Display]** you can set such parameters as:

- **[Wallpapers]** → **[System]** if you want to choose from system wallpapers or → **[User defined]** if you want to add your own wallpaper from microSD memory card and choose any picture from the list. To see a preview of given picture select **<OK>**. To select the chosen picture as a wallpaper press: **[View]** → **[OK]**.
- **[Screen Backlight]** - allows you to set the brightness level and backlighting time with the buttons **<*>** and **<#>**.
- **[Screen auto lock]** - time after which the lock is activated.
- **[Power on screen]** → **[System]** if you want to choose from system wallpapers or → **[User defined]** if you want to add your own animation from microSD memory card. To set the desired animation, select:**[OK]** → **[OK]**.
- **[Power off screen]** → **[System]** if you want to choose from system wallpapers or → **[User defined]** if you want to add your own animation from microSD memory card. To set the desired animation, select:**[OK]** → **[OK]**.
- **[Show date and time]** - if you want to set displaying the date and time on the main screen of the phone.

Connection settings

Available in **[Menu]** → **[Phone center]** → **[Call settings]**. There are settings available for waiting calls, forwarding, receiving mode (open with a flap, with any key, automatic).

Configuration of the alarm / alarms

From main menu enter **[Menu]** → **[Organizer]** → **[Alarm]**. Select any item in the list, then press **[Edit]** to change the alarm settings - status (switch on/off), alarm time using the phone's numeric keypad, and repeat mode (one time, every day, or select days). Additionally, you can choose the ringtone. Confirm the settings in **[Options]** → **<Save>**.

Torch

You can turn the torch on by pressing the button **(19)** for 2 seconds or select **[Menu]** → **[Organizer]** → **[Torch]**. It is switched off the same way.

Use of calculator

From main menu enter **[Menu]** → **[Organizer]** → **[Calculator]**. Basic arithmetic operations can be performed using the numeric keypad (typing numbers, digits). You can set the operator using the **<Up>** and **<Down>** navigation keys. To see the result press **[OK]**.

Factory settings

To get back to factory settings enter **[Menu]** → **[Settings]** → **[Restore factory settings]**, input the phone password and confirm by pressing **<OK>**.

Password required to restore the factory settings is 1122.

Call log

Enter **[Menu]** → **[Phone center]** → **[Call settings]**. You can look through the call log - what calls were missed, received etc. The following positions are placed in submenu:

- Missed calls
- Dialed calls
- Received calls
- All calls
- Delete call history

Audio Player

Audio player is launched by selecting **[Menu]** → **[Multimedia]** → **[Audio player]**. This application allows you to play music files in MP3 format. To play music files, you need to add them to the playlist. If they are stored on the memory card, select **[List]** → **[Options]** → **[Add]** and select a specific file from the memory card or select the corresponding folder with the music stored on it and enter **[Options]** → **[Choose]**. The files will be added to the playlist. To enjoy the audio player use the following buttons:

Button	Function
<up>	Repeat
<down>	Random play
<6>	Next track

<4>	Previous track
<5>	Play / Pause
<*>	Quieter
<#>	Louder

The file list is available in **[List]**.

FM Radio

To use a build-in FM Radio, enter **[Menu]** → **[Multimedia]** → **[FM Radio]**. Choose **[Options]** → **[Auto search]** → to save on the list and to search for radio stations. All found radio stations will be available at **[Options]** → **[Channel list]** in the options menu. To enjoy the audio player use the following buttons:

Button	Function
<up>	0.1 MHz up
<down>	0.1 MHz down
<6>	Next channel

<4>	Previous channel
<5>	Play / Pause
<*>	Quieter
<#>	Louder

Calendar

MyPhone Twist is equipped with a calendar option. You can view the current date or check various dates of your choice. To switch on the calendar, select **[Menu]** → **[Organizer]** → **[Calendar]**. You can add events to the calendar, to which you can set reminders. Use the **<down>**, **<up>**, **<4>**, **<2>**, **<6>**, **<8>** buttons to navigate between calendar dates. Select the date and press **<Options>**, then select **[Add Event]** → **<Select>**. A screen where you can enter the following will appear:

- **[Subject]** - name of the event.
- **[Start]** - date and time of the beginning of the event.
- **[End]** - date and time of the ending of the event.

- **[Type]**- type of meeting (reminder, meeting, course, date, telephone, anniversary, birthday).
 - **[Alarm]** with what time limit should the reminder be set.
 - **[Repeat]** - how often the reminder should be triggered (once a day, every day, adjust, every week, every month, every year).
 - **[Location]** - where will the event take place.
 - **[Details]** - detailed description of the event.
- The reminder will appear on the screen on the set date and time of the event.

Bluetooth

The phone is equipped with a Bluetooth. It is used to wirelessly connect and exchange files with other devices equipped with Bluetooth. To use Bluetooth enter: **[Menu]** → **[Settings]** → **[Bluetooth]**. The following options are available:

- **[Power]** - Select **<Turn ON>** to enable the Bluetooth radio signal and select **<Turn OFF>** to turn off the module It is signalled with a Bluetooth icon displayed on the upper status bar on the phone main screen.
- **[Visibility]** – Enabling this feature allows the visibility of your phone on the list of available devices other phones, tablets and computers equipped with Bluetooth.
- **[My device]** - an option **[Search new device]** is situated here which allows you to display a list of available Bluetooth devices in range. This feature allows you to connect to a device from the list.

- **[My name]** – the name visible to other bluetooth devices can be typed in here. Default name is "myPhone Twist".

Pairing bluetooth devices

To connect to a Bluetooth device choose it from a list of available devices by entering **[Menu]** → **[Settings]** → **[Bluetooth]** → **[My device]** and select **[Search New Device]**, and then search for the available devices. Pressing **<Cancel>** will stop the search. After selecting **<Back>**, you can select a device from the list and press **<Pair>**. Both devices will display a request for password compliance. Press **[OK]** to pair devices. Sometimes a universal password is required: 0000 (four zeros) or 1234.

Sending files via Bluetooth.


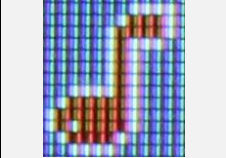
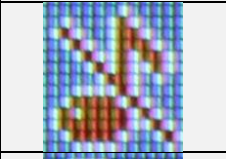
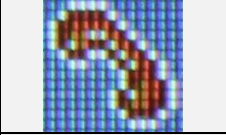
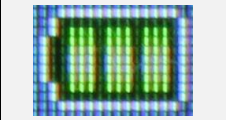
To send files situated on the memory card to a paired (connected) device enter: **[Menu]** → **[Multimedia]** → **[File manager]** → **[Memory card]** or **[Phone]** and then **[Options]** → **[Open]** and choose a file you wish to send, from the phone memory. Then select **[Options]** → **[Send]** → **[Via Bluetooth]** and search for the recipient's device or add it from the list of paired devices. The file will be send after recipient' approval.

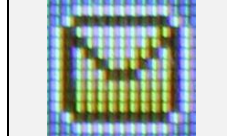
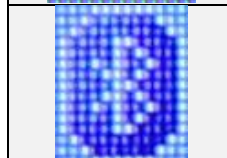
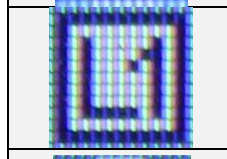
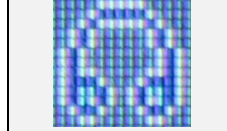
Camera

To take a photo one should open the camcorder app by entering: **[Menu]** → **[Multimedia]** → **[Camera]** or pressing a **<down>** button. When you start the camera application, place the subject you wish to photograph

in the frame, and then press **(19)** (zero) to take a photo which will be automatically saved in the phone memory or on microSD card in "Photos catalogue. You can view the pictures you have taken and all other by entering **[Menu]** → **[Multimedia]** → **[Image viewer]**.

Phone icons

	GSM network range
	"General" mode on
	Silent mode activated
	Missed call
	Battery charge level

	Unread SMS message
	Bluetooth active
	Memory card inserted
	Earphone plugged

Troubleshooting

Message	Possible solution
Insert SIM card	Make sure SIM card has been correctly installed.
Input PIN	If the SIM card is secured with the PIN code you have to enter the PIN when turning the phone on and press <OK> .

Network fail!	In areas where signal or reception is weak, calls may not be possible. Also receiving calls may not be possible. Move to another location and try again.
I cannot hear the caller./ The caller cannot hear me.	The mic. should be close to mouth. Check if the built-in mic is not covered. When a headset is un use, check if it has been connected correctly. Check if the built in speaker isn't covered.
Poor sound quality while on the phone:	Make sure that the speaker and mic. are not covered.
The connection cannot be established.	Check if the typed-in phone number is correct. Check if the phone number entered to the [Phonebook] is correct. Enter the correct phone number if necessary.
No one can call me:	The phone has to be on and withing GSM network reach.

5. Proper phone maintenance.

Proper use of the battery

Battery in this device can be charged with a charger. If the battery level is low, recharge it. To prolong battery life, let it discharge beneath 20% of the battery capacity before connecting the charger. Then charge it back to

100%. If not used, unplug the charger from the phone. Excessive charging might cause shortened battery life. The temperature of the battery has an impact on its charging cycle. Prior to the charging process, cool the battery or raise its temperature so that it is similar to the room temperature (approx. 20 °C). If the battery temperature exceeds 40°C the battery must not be charged! If the battery overheats, the device will display an appropriate message. Use the battery only according to its intended purpose. Avoid leaving the battery within a magnetic field range, because it shortens its life. Do not use a damaged battery. The battery lifespan can be shortened, if it has been exposed to very low or very high temperatures - this causes interference to the phone, even when the battery has been properly charged. Do not throw the battery into flames! Do not throw a worn-out battery – send it or return it to an authorized recycling point.

Proper phone maintenance.

To extend the life of your phone, follow the guidelines. Keep the phone and its accessories out of reach of children. Store the phone in a dry place free of moisture. Avoid using the phone in high and low temperatures; it can shorten the life of phone electronic components, melt the plastic parts and destroy the battery. Do not try to disassemble the phone. Tampering with its structure in an unprofessional manner may cause serious damage to the phone or destroy it completely. For cleaning use only a dry cloth. Never use any agent with a high concentration of acids

or alkalis. Use the original accessories only. Violation of this rule may result in cancellation of the warranty. It is recommended that the phone is not used at temperatures higher than 40 ° C / 104 ° F.

Safety information

While using the phone, take into account the legal regulations concerning safety and the safety of its surroundings.

Road safety

Apart from emergency situations, using the phone while driving should be carried out only with use of a headset or a speakerphone, which ensures safety and does not limit motor abilities of the user. If one does not own a headset and still wants to use the phone, one should pull over and stop the car. Pay attention to the legal regulations concerning the use of mobile phone while driving. Some electronic components of the car without adequate protection can be affected by waves emitted by the phone. It is advisable to use the phone in the car only when the external antenna of the vehicle is secured. Use the services of a professional when installing the phone in the car.

Surroundings security

Familiarise yourself with legal regulations concerning the use of mobile phones. Turn off the phone in areas where its use is forbidden or when it may cause interference or danger. The use of any devices that radio waves causes interference with medical devices

(i.e. indicators, cardiac pacemaker), if they are not properly secured. If in doubt consult a doctor or a medical equipment manufacturer. In places where there is a risk of explosion (i.e. Petrol stations, chemical factories etc.), it is advisable to turn off the phone. Please refer to regulations governing the use of GSM equipment in these places.



Attention: *Listening to the audio player too long or too loud can cause hearing damage.*

Technological criteria

Network: GSM 850/900/1800/1900 MHz

Some services may depend on your provider, the state of your local cellular network, version of the SIM card used and the way you use your phone. For more information, please contact your GSM operator.

Attention	Statement
<p>The manufacturer is not responsible for any consequences caused by improper usage of the phone and not obeying the above instructions.</p>	<p>The software version can be upgraded without earlier notice. The representative retains the right to determine the correct interpretation of the above instructions.</p>

Information on certificates (SAR)

Your mobile phone is a transmitter and receiver of radio waves. It is designed and manufactured according to current safety standards, so that exposure to radio waves never exceeds the limits set by the Council of

European Union. Those limits establish the permitted levels of RF energy for the general population and were developed by independent scientific organizations on the basis of detailed scientific studies, including a large safety margin. Their purpose is to ensure the safety of all people, regardless of age and health. With regard to cell phones the level of exposure to radio waves is measured by the value SAR (eng. Specific Absorption Rate). The SAR limit recommended by the Council of the European Union is 2 W / kg and refers to the averaged value for 10 grams of tissue.

The highest SAR value for **myPhone Twist** equals **1,705 W/kg**.

Correct disposal of used equipment.



The device is marked with a crossed-out garbage bin, in accordance with the European Directive 2012/19 / EU on used electrical and electronic Equipment (Waste Electrical and Electronic equipment - WEEE). Products marked with this symbol should not be disposed of or dumped with other household waste after a period of use. The user is obliged to get rid of used electrical and electronic equipment by delivering it to designated recycling point in which dangerous waste are being recycled. Collecting this type of waste in designated locations, and the actual process of their recovery contribute to the protection of natural resources. Proper disposal of used electrical and electronic equipment is beneficial to human health and environment. To obtain information on where and how to dispose of used

electrical and electronic equipment in an environmentally friendly manner user should contact their local government office, the waste collection point, or point of sale, where the equipment was purchased.

Correct disposal of used battery



According to the EU directive 2006/66 / EC on the disposal of batteries, this product is marked with crossed-out garbage bin symbol. The symbol indicates that the batteries used in this product should not be disposed with normal household waste, but treated according to the legal directives and local regulations. It is not allowed to dispose of batteries and accumulators with unsorted municipal waste. Users of batteries and accumulators must use the available collection points of these items, which allows them to return, recycle and disposal. Within the EU, the collection and recycling of batteries and accumulators is a subject to separate procedures. To learn more about existing procedures of recycling of batteries and accumulators please contact your local office or an institution for waste disposal or landfill.

Declaration of conformity with European Union Directives



MyPhone Sp. With o.o. Hereby declares that myPhone Twist cellular phone is compliant with Directive 2014/53 / EU. The full text of the EU Declaration of

Conformity is available at the following Internet address:

<http://www.myphone.pl/certyfikaty>